



Sink - CL.1

Drain Umbrella drain, can not be closed 1 1/4" - polished chrome

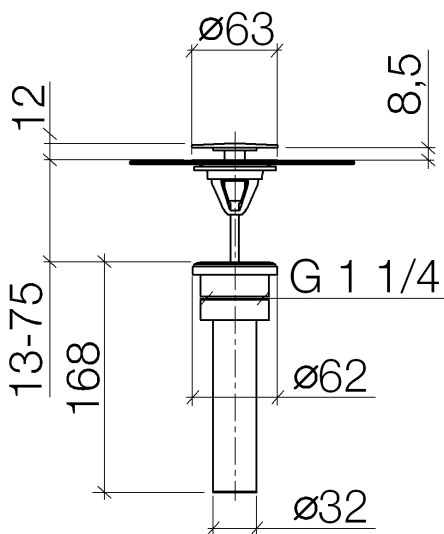
Article number: 10 126 970-00 0010

- Min. basin thickness 5/8"
- can not be closed
- Commonly used with basins without overflow.



polished chrome

Dimensional drawing



All dimensions in mm / inch = mm x 0,0394



Sink - CL.1

Drain Umbrella drain, can not be closed 1 1/4" - polished chrome

Article number: 10 126 970-00 0010



Sink - CL.1

Drain Umbrella drain, can not be closed 1 1/4" - polished chrome

Article number: 10 126 970-00 0010

Other surface finishes



platinum matte

10 126 970-06 0010



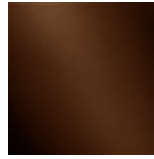
platinum

10 126 970-08 0010



Dark Brass matte

10 126 970-16 0010



Dark Bronze matte

10 126 970-17 0010



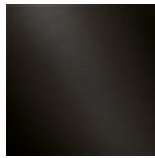
black matte

10 126 970-33 0010



Cyprum

10 126 970-49 0010

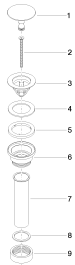


Dark Platinum matte

10 126 970-99 0010

More custom finish options are available via special production (xTra Service). Please see our finish matrix for availability and pricing or contact a Dornbracht representative.

Spare parts list



Number	Item Number	Designation	Number of units
--------	-------------	-------------	-----------------